

TEAR SHEET

Antigua Large Drum Semi-Flush Mount

Item # CHC 4015PN/NAB

Designer: Chapman & Myers

Height: 8.25"

Width: 16"

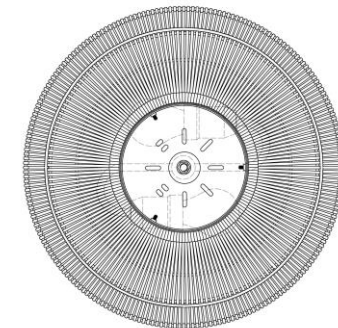
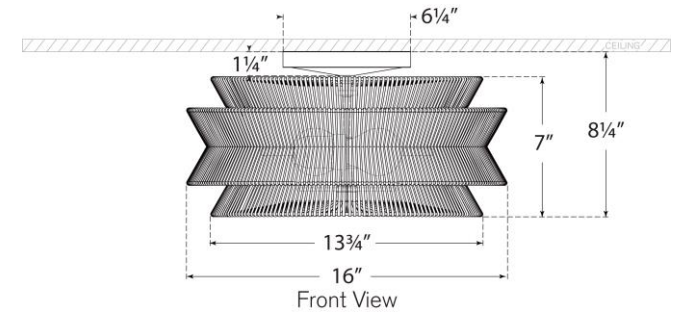
Canopy: 6.25" Round

Finishes: AB/NAB, PN/NAB

Socket: 2 - E26 Keyless

Wattage: 2 - 15 LED A19

Note: UL Only



Top View