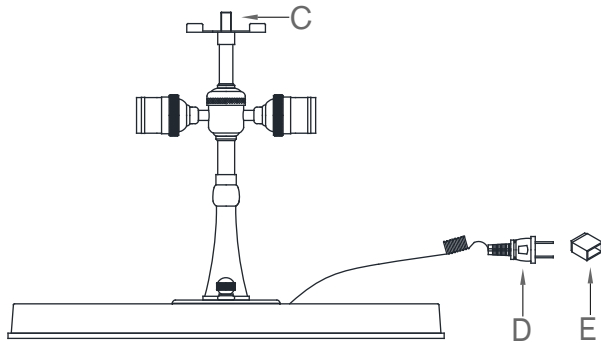
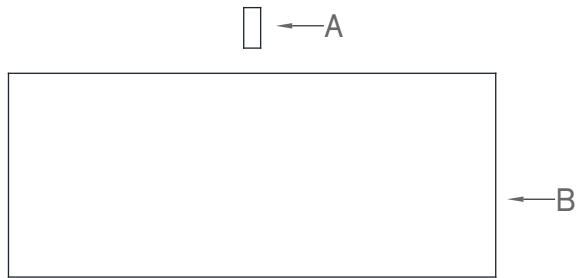


## ASSEMBLY INSTRUCTIONS



## Casper Small Desk Lamp Item # TOB3241

**INSPECT ITEM CAREFULLY BEFORE ATTEMPTING TO INSTALL. IF THERE IS ANY DAMAGE OR OBVIOUS DEFECT, DO NOT INSTALL.**

**ITEM MAY NOT BE RETURNED ONCE IT HAS BEEN INSTALLED.**

1. Carefully remove all parts from the carton.
2. Remove finial (A) from top nipple (C). Place lamp shade (B) (packed separately) onto the nipple (C). Screw finial (A) onto the nipple (C) to secure shade to the nipple (C).
3. Insert light bulb into socket.
4. Remove plastic cover (E) from electrical plug (D).
5. Plug lamp into wall outlet.

\*\*\*Clean with a dry, soft cloth only. Use no harsh abrasives or chemical agents.