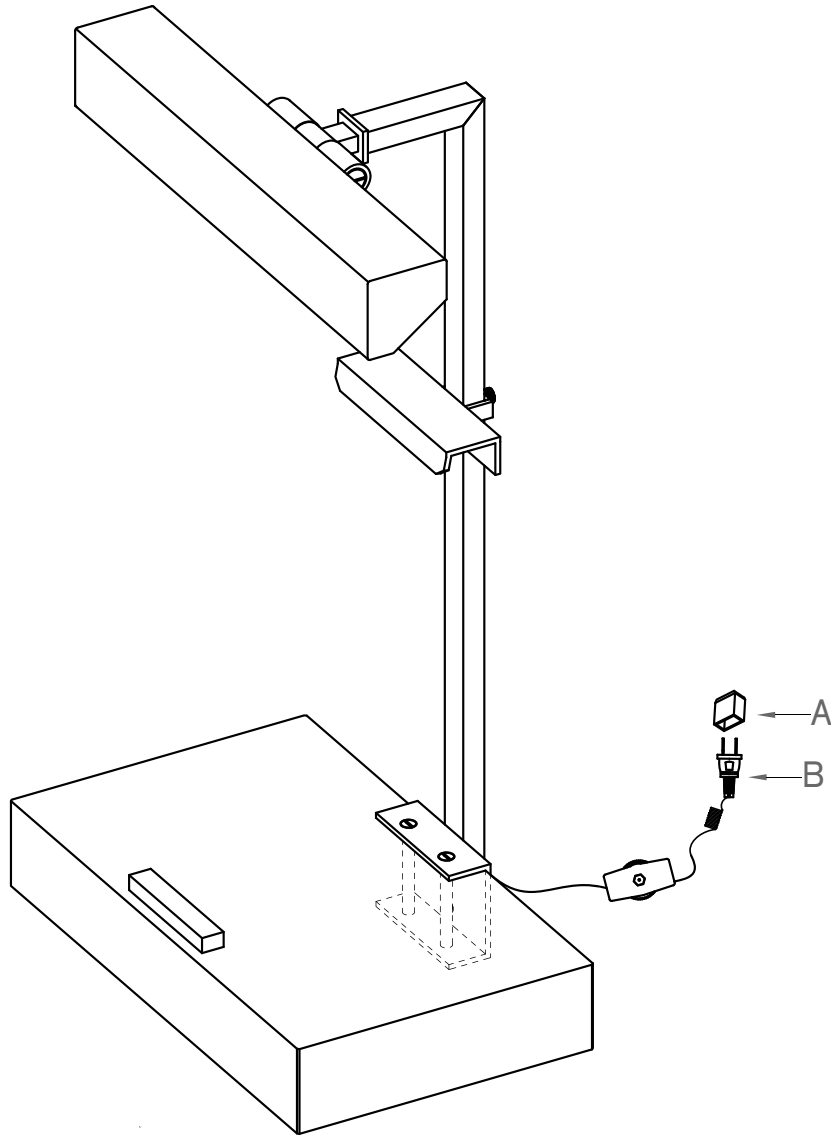


ASSEMBLY INSTRUCTIONS

McClellan Easel Light
Item # SP3041



INSPECT ITEM CAREFULLY BEFORE ATTEMPTING TO INSTALL. IF THERE IS ANY DAMAGE OR OBVIOUS DEFECT, DO NOT INSTALL. ITEM MAY NOT BE RETURNED ONCE IT HAS BEEN INSTALLED.

1. Carefully remove all parts from the carton.
2. Insert light bulb (not included) into socket.
3. Remove protective plastic (A) from electrical plug (B).
4. Plug lamp into wall outlet.

***Clean with a dry, soft cloth only. Do not use harsh abrasives or chemical agents.



VISUAL COMFORT & Co. Est. 1987