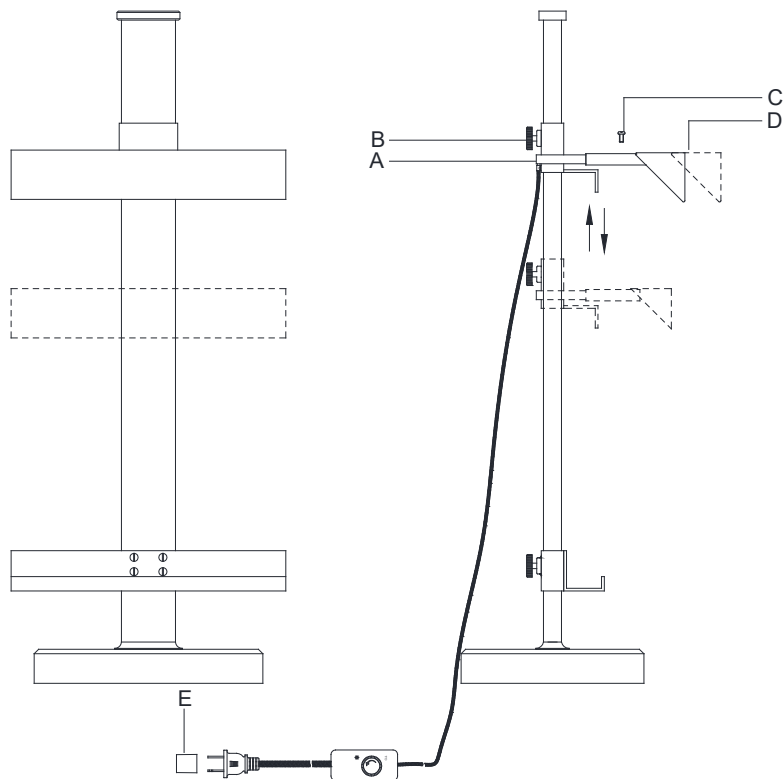


ASSEMBLY INSTRUCTIONS



Langham Table Lamp

Item # RL 3388

NOTICE:

This light fixture should be installed in accordance with all applicable, local installation codes, and by a person familiar with the construction and operation of it, as well as the hazards involved. Inspect item and contents carefully. If any damage or defect is found, do not install. Retain all packaging material until installation is complete and approved.

1. Carefully remove all parts from the box.
2. Loosen the haddle (B), adjust the part (A) up or down to get a desired height.
3. Loosen the screw (C) on the part (A), adjust the location of metal shade (D), then secure the screw (C).
4. Remove protective plug cover (E) from the plug.
5. Plug into a proper electrical outlet and test the fixture.
6. Installation is complete.

Care Instructions: Clean only with a soft dry cloth or feather duster. Do not use abrasive or chemical agents.

RALPH LAUREN

