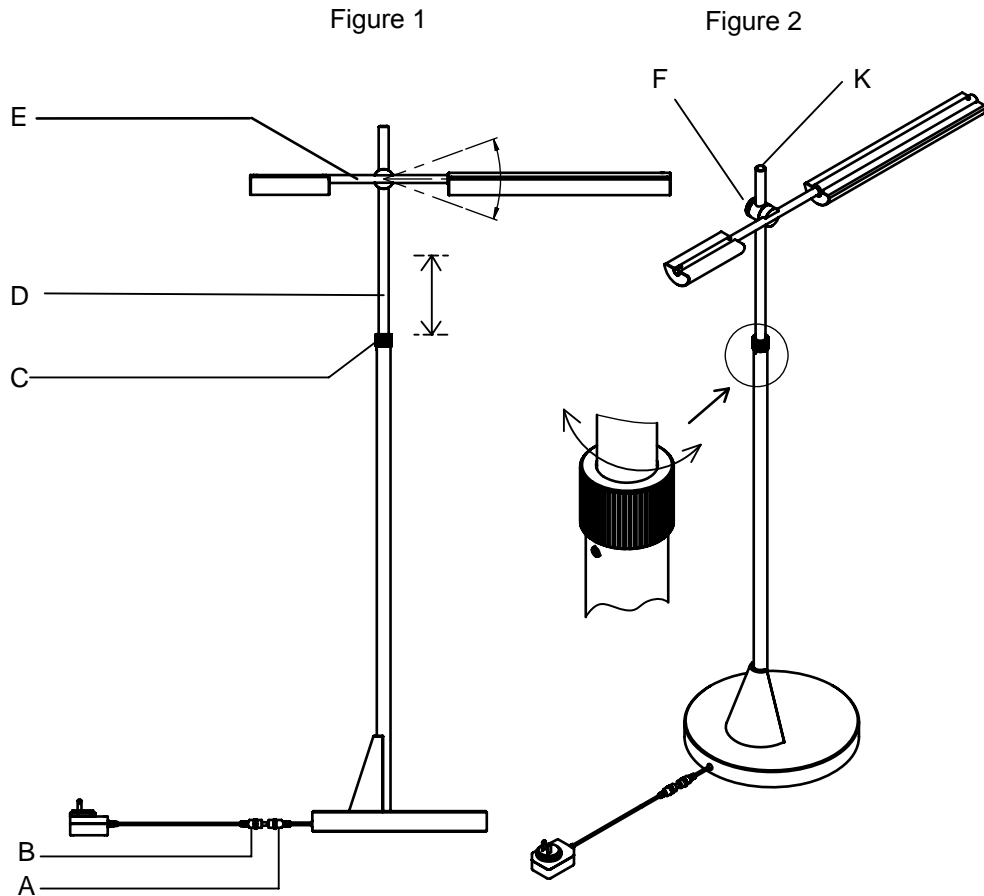


## ASSEMBLY INSTRUCTIONS



## Daley Adjustable Floor Lamp Item # RL1320

WARNING\*\*\*SWITCH OFF THE MAIN ELECTRICAL SUPPLY FROM THE MAIN FUSE BOX/CIRCUIT BREAKER BEFORE INSTALLATION.

INSPECT ITEM CAREFULLY BEFORE ATTEMPTING TO INSTALL. IF THERE IS ANY DAMAGE OR OBVIOUS DEFECT. DO NOT INSTALL.

ITEM MAY NOT BE RETURNED ONCE IT HAS BEEN INSTALLED.

NOTE: CAREFULLY UNPACK EACH PIECE IN TOP LAYER OF PACKING PRIOR TO REMOVING. RETAIN ALL PACKING MATERIAL UNTIL INSPECTION AND INSTALLATION ARE FINAL.

1. Carefully remove all parts from the box.
2. Connect driver (B) to line (A) and plug into a proper electrical outlet.
3. Single press the switch (K) to turn on and off, press and hold to brighten or dim.
4. The horizontal stem (E) can be rotated by 20° as shown in Figure 1.
5. The height of the vertical stem (D) can be adjusted by loosening the knurled knob (C), pulling up or pushing down to desired height, then tighten as shown in Figure 2.
6. Installation is complete.

\*\*\*Clean with a dry, soft cloth only. Use no harsh abrasives or chemical agents.



# RALPH LAUREN