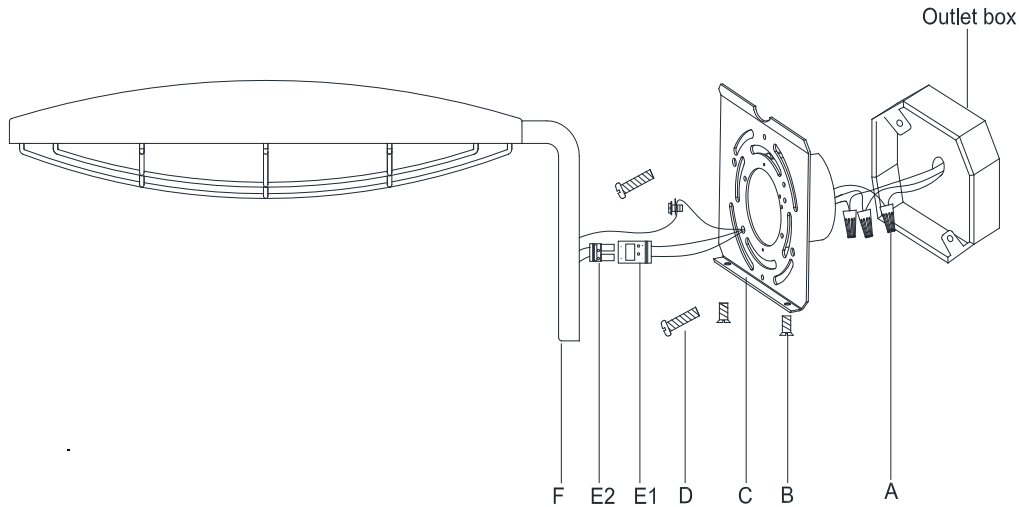


ASSEMBLY INSTRUCTIONS



Dot 13" Caged Wall Light

Item # PB 2003

WE RECOMMEND INSTALLATION OF THIS LIGHTING FIXTURE BE DONE BY A LICENSED ELECTRICIAN.

WARNING*SWITCH OFF THE MAIN ELECTRICAL SUPPLY FROM THE MAIN FUSE BOX/CIRCUIT BREAKER BEFORE INSTALLATION.**

INSPECT ITEM CAREFULLY BEFORE ATTEMPTING TO INSTALL. IF THERE IS ANY DAMAGE OR OBVIOUS DEFECT. DO NOT INSTALL.

ITEM MAY NOT BE RETURNED ONCE IT HAS BEEN INSTALLED.

NOTE: CAREFULLY UNPACK EACH PIECE IN TOP LAYER OF PACKING PRIOR TO REMOVING. RETAIN ALL PACKING MATERIAL UNTIL INSPECTION AND INSTALLATION ARE FINAL.

1. Carefully remove all parts from the box.
2. Remove the mounting plate (C) from the fixture body (F) by loosening screws (B).
3. Disconnect conductive plugs (E1 & E2).
4. Connect the driver Neutral wire (white) with the neutral wire from the outlet box using wire nut (A).
5. Connect the driver Hot wire (black) with the hot wire from the outlet box using wire nut (A).
DO NOT REVERSE THE HOT AND NEUTRAL CONNECTIONS OR SAFETY WILL BE COMPROMISED.
6. Affix the mounting plate (C) to the outlet box and secure with screws (D).
7. Connect fixture ground wire (bare copper) to the mounting plate (C) grounding screw.
IT IS IMPERATIVE THAT THIS FIXTURE BE GROUNDED.
8. Connect the conductive plug (E1 & E2) together.
9. Attach fixture body (F) to the mounting plate (C) and secure with side screws (B).
10. Installation is complete, turn on power at fuse or circuit breaker.

***Clean with a dry, soft cloth only. Use no harsh abrasives or chemical agents.