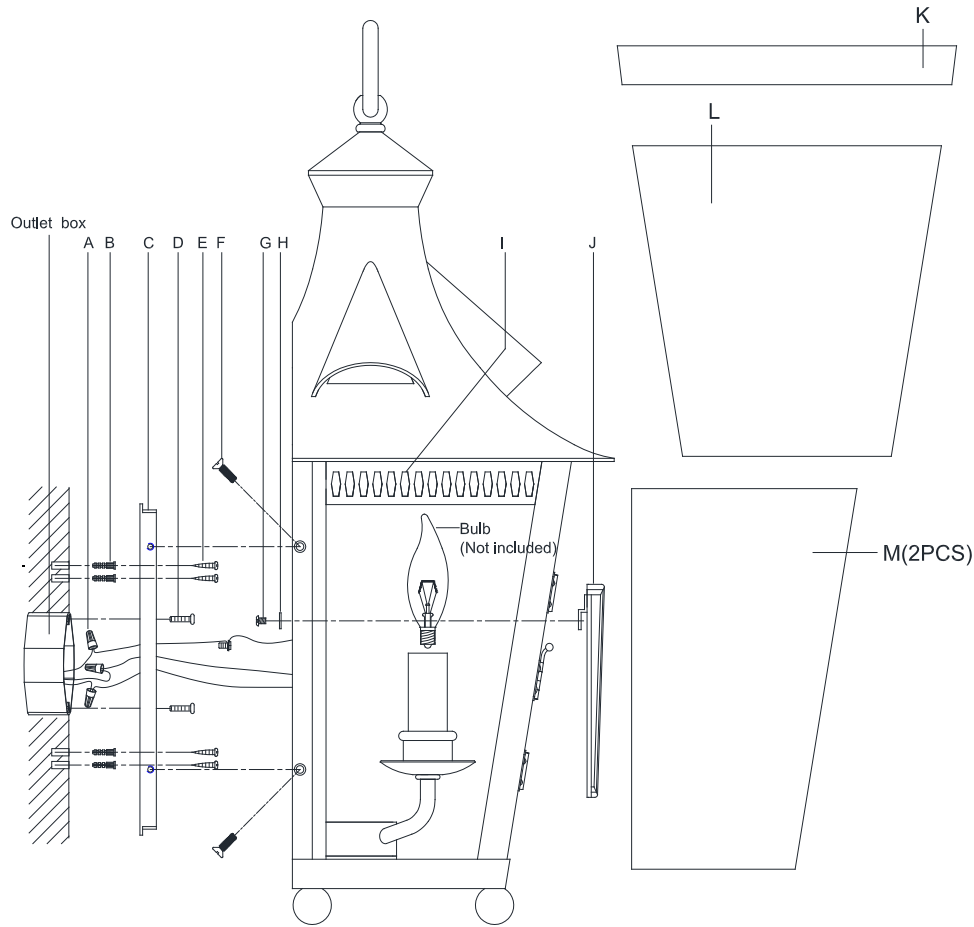


ASSEMBLY INSTRUCTIONS



Orleans Medium 1/2 Wall Lantern

Item # NW 2712

WE RECOMMEND INSTALLATION OF THIS LIGHTING FIXTURE BE DONE BY A LICENSED ELECTRICIAN.

WARNING*SWITCH OFF THE MAIN ELECTRICAL SUPPLY FROM THE MAIN FUSE BOX/CIRCUIT BREAKER BEFORE INSTALLATION.**

INSPECT ITEM CAREFULLY BEFORE ATTEMPTING TO INSTALL. IF THERE IS ANY DAMAGE OR OBVIOUS DEFECT. DO NOT INSTALL.

ITEM MAY NOT BE RETURNED ONCE IT HAS BEEN INSTALLED.

NOTE: CAREFULLY UNPACK EACH PIECE IN TOP LAYER OF PACKING PRIOR TO REMOVING. RETAIN ALL PACKING MATERIAL UNTIL INSPECTION AND INSTALLATION ARE FINAL.

1. Carefully remove all parts from the box.
2. Remove the mounting plate (C) from the fixture body (I) by loosening side screws (F).
3. Drill 4 holes on the wall and make sure the hole distance will match to the mounting plate (C) holes.
4. Knock the anchors (B) into the wall holes.
5. Attach the mounting plate (C) to the outlet box and secure with mounting screws (D), then secure screws (E) to the anchors (B).
6. Open the front door of the fixture body (I), then attach the reflector (J) to the inside of fixture body (I) and secure with washer (H) and screw (G).
7. Connect the fixture Ground (bare) wire with the ground wire from the outlet box using wire nut (A). If your house does not have ground wire, then attach this wire to the green grounding screw inside of the outlet box.
IT IS IMPERATIVE THAT THIS FIXTURE BE GROUNDED.
8. Connect the fixture Neutral wire (WHITE) with the neutral wire from the outlet box using wire nut (A).
9. Connect the fixture Hot (BLACK) wire with the hot wire from the outlet box using wire nut (A).
DO NOT REVERSE THE HOT AND NEUTRAL CONNECTIONS OR SAFETY WILL BE COMPROMISED.
10. Attach fixture body (I) to the mounting plate (C) and secure with side screws (F).
11. Insert the glass panels (M) on the side of the frame and screw it by bending the metal tabs.
12. Insert the glass panels (L & K) on the front of the frame and screw it by bending the metal tabs.
13. Insert bulbs (not included) into the sockets.
14. Installation is complete, turn on power at fuse or circuit breaker.

***Clean with a dry, soft cloth only. Use no harsh abrasives or chemical agents.