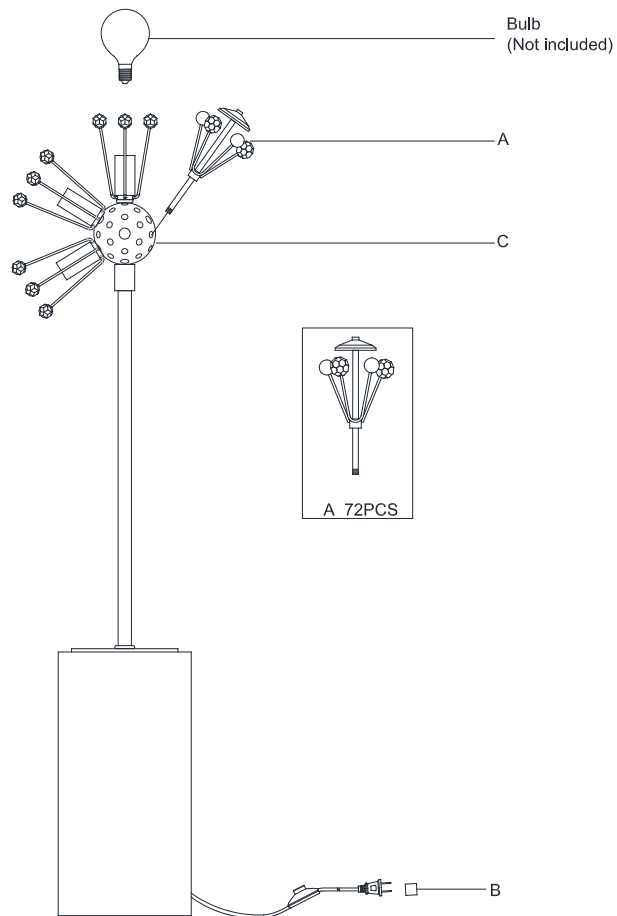


ASSEMBLY INSTRUCTIONS



Dickinson Floor Lamp

Item # KS 1005

INSPECT ITEM CAREFULLY BEFORE ATTEMPTING TO INSTALL. IF THERE IS ANY DAMAGE OR OBVIOUS DEFECT. DO NOT INSTALL.

ITEM MAY NOT BE RETURNED ONCE IT HAS BEEN INSTALLED.

NOTE: CAREFULLY UNPACK EACH PIECE IN TOP LAYER OF PACKING PRIOR TO REMOVING. RETAIN ALL PACKING MATERIAL UNTIL INSPECTION AND INSTALLATION ARE FINAL.

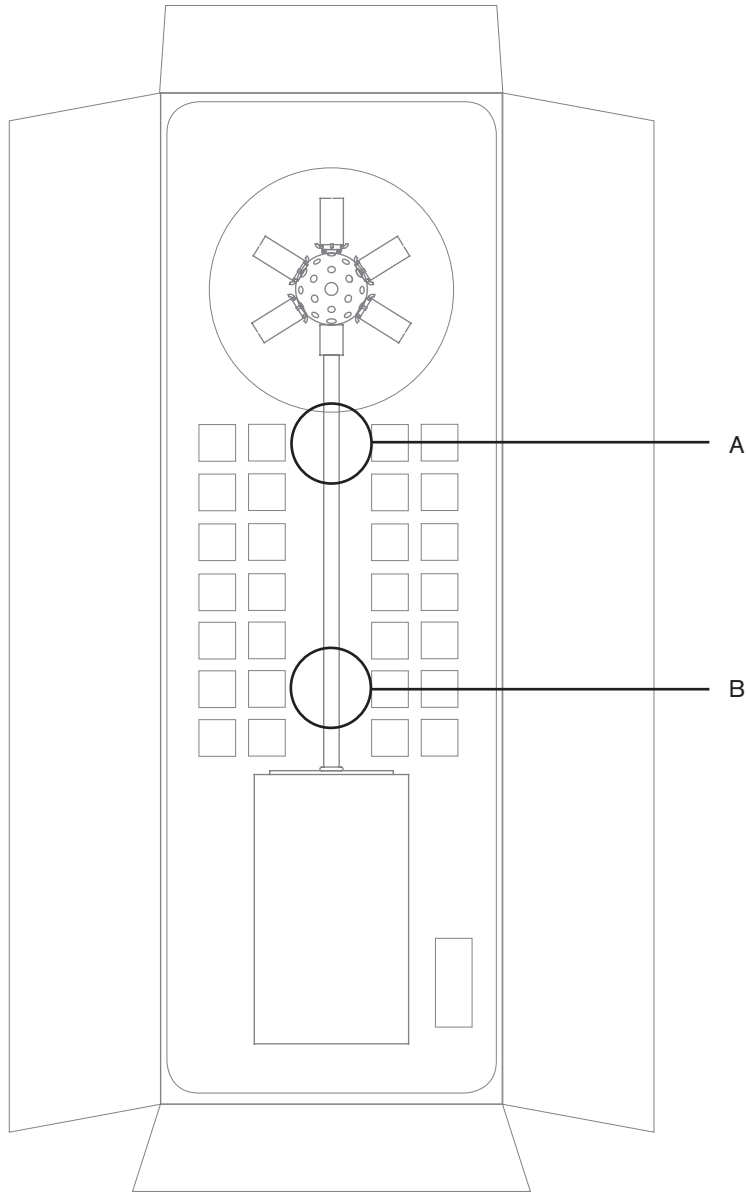
-
1. Carefully remove all parts from box.
 2. Thread the crystal flower (A) to the ball (C).
 3. Insert bulbs (not included) into the sockets.
 4. Remove protective plug cover (B) from the plug.
 5. Plug into a proper electrical outlet and test the fixture.
 6. Installation is complete.

***Clean with a dry, soft cloth only. Use no harsh abrasives or chemical agents.



VISUAL COMFORT & Co. Est. 1987

UNPACKING NOTICE



Dickinson Floor Lamp

Item # KS1005

THE FOLLOWING INSTRUCTIONS SHOULD BE READ PRIOR TO UNPACKING YOUR PRODUCT AS THEY ARE INTENDED TO REDUCE OR ELIMINATE ANY POSSIBLE DAMAGE.

1. To properly remove lamp from carton, first remove top two layers of foam incasing.
CAUTION: It is advised that a second person assist with the next step.
2. Carefully stand carton upright with lamp base near floor shown in figure.
3. Grasp center rod (A), (B) and gently slide out of foam casing.