

CHD1139

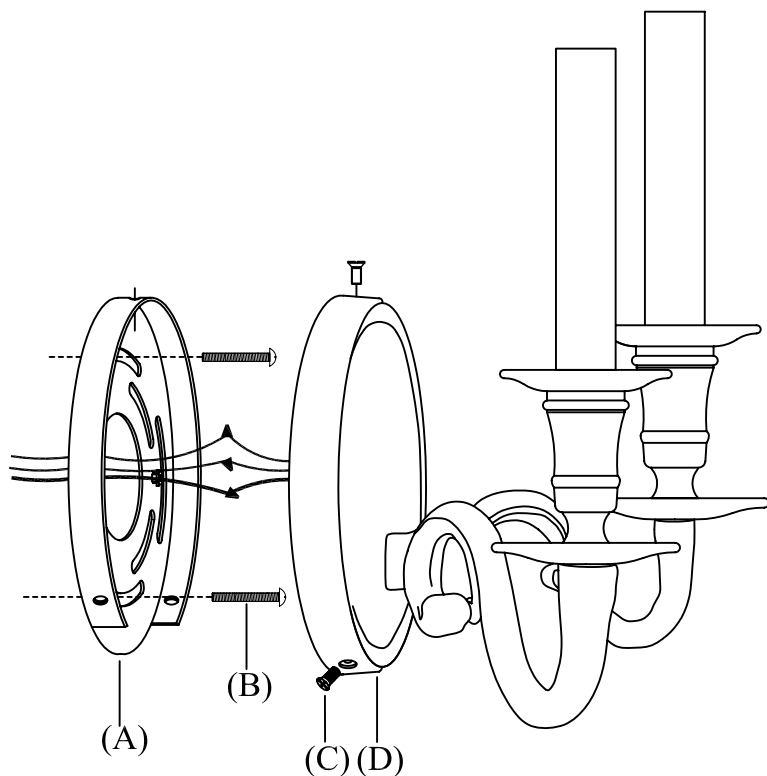
ASSEMBLY & INSTALLATION GUIDE

WE RECOMMEND INSTALLATION OF THIS LIGHTING FIXTURE BE DONE BY A LICENSED ELECTRICIAN.

WARNING * SWITCH OFF THE MAIN ELECTRICAL SUPPLY FROM THE MAIN FUSE BOX/CIRCUIT BREAKER BEFORE INSTALLATION.**

INSPECT ITEM CAREFULLY BEFORE ATTEMPTING TO INSTALL. IF THERE IS ANY DAMAGE OR OBVIOUS DEFECT, DO NOT INSTALL.

ITEM MAY NOT BE RETURNED ONCE IT HAS BEEN INSTALLED.



1. Remove the back plate (A) from the base of the light fixture (D) by removing the base screws (C).
2. Affix the back plate (A) to the wall with the back plate screws provided (B). Back plate screws are wrapped in a plastic bag and taped on the bottom of the fixture base (D).
3. Attach the ground (green) wire to the ground wire from the wall outlet box (usually green or copper in color), and fasten together with a plastic wire connector. Tightly wrap the wire connector with electrical tape so the end of the connector is sealed. IT IS IMPERATIVE THAT THE OUTLET BOX IN YOUR HOME BE PROPERLY GROUNDED.
4. Connect the two neutral (white) fixture wire coming from the lamp fixture base to the neutral (usually white) outlet wire. Fasten these five wires together with a plastic wire connector and tightly wrap the wire connector with electrical tape.
5. Repeat this procedure with the hot (black) wires. Always make sure that no wire strands are left outside the connectors. DO NOT REVERSE THE HOT AND NEUTRAL CONNECTIONS OR SAFETY WILL BE COMPROMISED.
6. Attach light fixture to the back plate (A). Tighten the fixture base (D) by the base screws (C).
7. Insert light bulbs into the sockets.
8. Attach shades to the light bulbs.