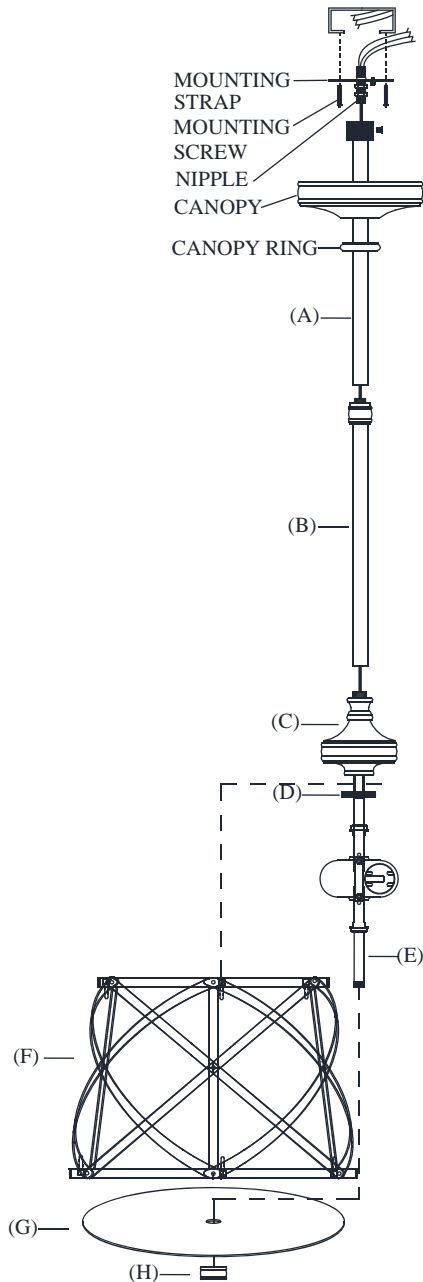


CHC1480

ASSEMBLY & INSTALLATION GUIDE



WE RECOMMEND INSTALLATION OF THIS LIGHTING FIXTURE BE DONE BY A LICENSED ELECTRICIAN.

WARNING * SWITCH OFF THE MAIN ELECTRICAL SUPPLY FROM THE MAIN FUSE BOX/CIRCUIT BREAKER BEFORE INSTALLATION.**

INSPECT ITEM CAREFULLY BEFORE ATTEMPTING TO INSTALL. IF THERE IS ANY DAMAGE OR OBVIOUS DEFECT, DO NOT INSTALL.

ITEM MAY NOT BE RETURNED ONCE IT HAS BEEN INSTALLED.

1. Remove white plastic bushing inside the bottom of upper rod (A) and lower rod (B) before assembling.
2. Screw upper rod (A) onto top nipple of lower rod (B).
3. Screw lower rod onto top nipple of part (C).
4. Attach mounting strap to ceiling outlet box by mounting screws provided.
5. Connect the hot wires from the fixture (SMOOTH) to the hot outlet box wire from the ceiling outlet box (usually BLACK). Fasten them together with a plastic wire connector provided and wrap connection with electrical tape.
6. Repeat this procedure for the RIBBED neutral wires from the light fixture to the wire from the ceiling outlet box (usually WHITE).
7. Connect the ground wire from the light fixture (bare copper) to the ground wire from the ceiling outlet box (usually green or bare copper).
8. Thread ceiling loop onto threaded rod attached to mounting strap . Slip canopy to ceiling and secure with canopy ring.
9. Attach shade (F) to the threaded section and secure with ring (D).
10. Insert light bulbs into the sockets.
11. Remove finial (H) from rod (E), attach diffuser (G) to the bottom of shade (F), letting the rod (E) pass through the hole of diffuser (G) and secure with finial (H).