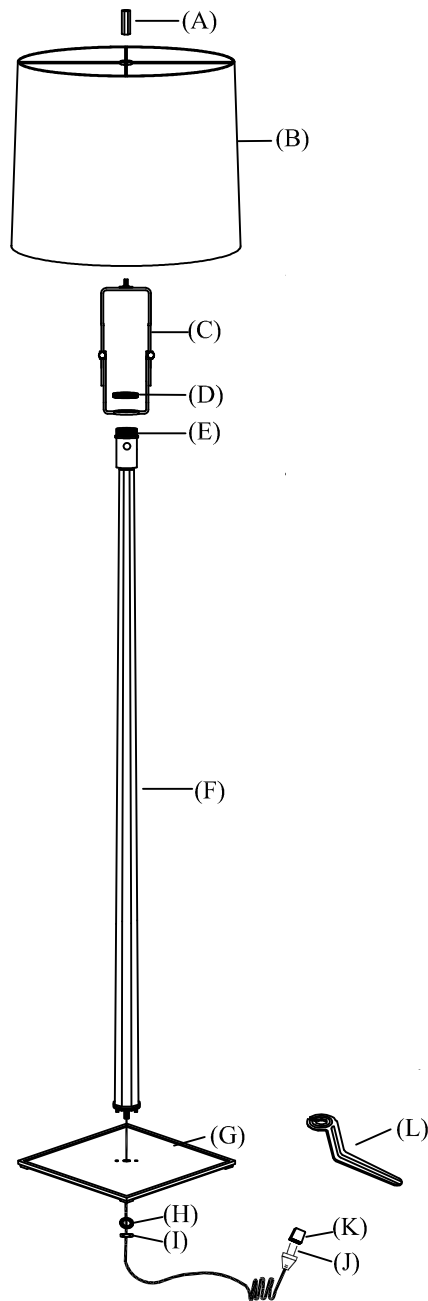


BBL1018

ASSEMBLY & INSTALLATION GUIDE



INSPECT ITEM CAREFULLY BEFORE ATTEMPTING TO INSTALL. IF THERE IS ANY DAMAGE OR OBVIOUS DEFECT, DO NOT INSTALL.

ITEM MAY NOT BE RETURNED ONCE IT HAS BEEN INSTALLED.

1. Join parts (F) & (G) together, letting both location pins at bottom of (F) to be inserted into both small holes on base (G), slip spring washer (H) over threaded rod at bottom of (F) and screw nut (I) on it. Tighten with wrench (L) provided.
2. Remove threaded ring (D) from socket cover (E). Attach bottom ring of harp (C) over top threaded section of (E), and secure with threaded ring (D).
3. Remove finial (A) from harp (C), place lamp shade (B) over the bolt attached on top of harp (C). Screw finial (A) onto the bolt to secure shade (B) to harp (C).
4. Insert light bulb into socket. Remove plastic cover (K) from electrical plug (J).
5. Plug lamp into electrical outlet.
6. ADJUSTMENT INSTRUCTIONS:
 - A. Loosen adjustment knobs at both sides of harp (C).
 - B. Adjust harp (C), up or down, to get desired height. Socket (E) should not show under shade (B) when the harp is adjusted correctly.
 - C. Carefully tighten knobs on harp (C).